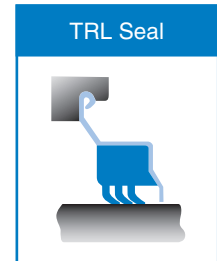
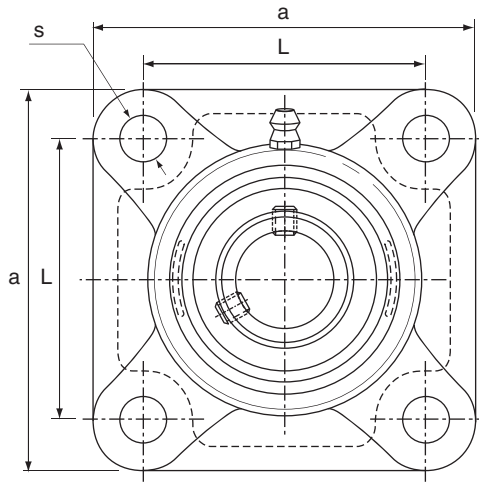
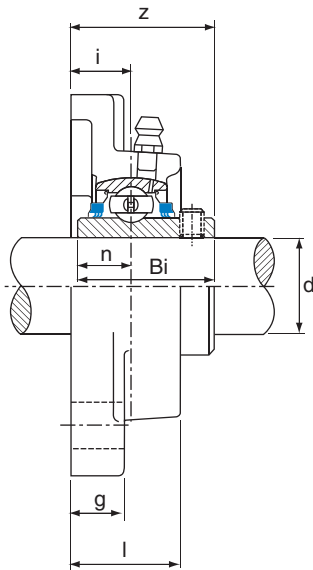


Flange Units

UCFX 00 4 Hole Flange Units



UCFX 00 4 Hole Flange Units (Medium Duty)

Bearing Unit	Shaft Dia.		a	L	i	g	l	s	z	Bi	n	Bolt Size		Insert No.	Housing No.	Weight kg
	d inch	d mm										inch	mm			
UCFX 05	1"	25	108	83	18	13	30	12	40.2	38.1	15.9	3/8"	M10	UCX 05	FX 05	1.1
UCFX 05-16		UCX 05-16														
UCFX 06	1.1/4"	30	117	92	19	14	34	16	44.4	42.9	17.5	1/2"	M14	UCX 06	FX 06	1.4
UCFX 06-20		UCX 06-20														
UCFX 07	1.1/4"	35	130	102	21	14	38	16	51.2	49.2	19.0	1/2"	M14	UCX 07	FX 07	1.9
UCFX 07-20																
UCFX 07-22	1.3/8"													UCX 07-22		
UCFX 08	1.1/2"	40	137	105	22	14	40	19	52.2	49.2	19.0	5/8"	M16	UCX 08	FX 08	2.1
UCFX 08-24		UCX 08-24														
UCFX 09	1.3/4"	45	143	111	23	14	40	19	55.6	51.6	19.0	5/8"	M16	UCX 09	FX 09	2.5
UCFX 09-28		UCX 09-28														
UCFX 10	2"	50	162	130	26	20	44	19	59.4	55.6	22.2	5/8"	M16	UCX 10	FX 10	3.6
UCFX 10-32		UCX 10-32														
UCFX 11	2.1/4"	55	175	143	29	20	49	19	68.7	65.1	25.4	5/8"	M16	UCX 11	FX 11	4.7
UCFX 11-36		UCX 11-36														
UCFX 12	2.1/4"	60	187	149	34	21	59	19	73.7	65.1	25.4	5/8"	M16	UCX 12	FX 12	5.5
UCFX 12-36		UCX 12-36														
UCFX 13	2.1/2"	65	187	149	34	21	59	19	78.4	74.6	30.2	5/8"	M16	UCX 13	FX 13	5.9
UCFX 13-40		UCX 13-40														
UCFX 14	2.3/4"	70	197	152	37	24	60	23	81.5	77.8	33.3	3/4"	M20	UCX 14	FX 14	7.3
UCFX 14-44		UCX 14-44														
UCFX 15	3"	75	197	152	40	24	68	23	89.3	82.6	33.3	3/4"	M20	UCX 15	FX 15	8.0
UCFX 15-48		UCX 15-48														
UCFX 16		80	214	171	40	24	70	23	91.6	85.7	34.1	M20	UCX 16	FX 16	9.8	

Every effort has been taken to ensure that the data listed in this catalogue is correct. Challenge accepts no liability for any inaccuracies or damage caused. All dimensions in millimetres unless otherwise stated.